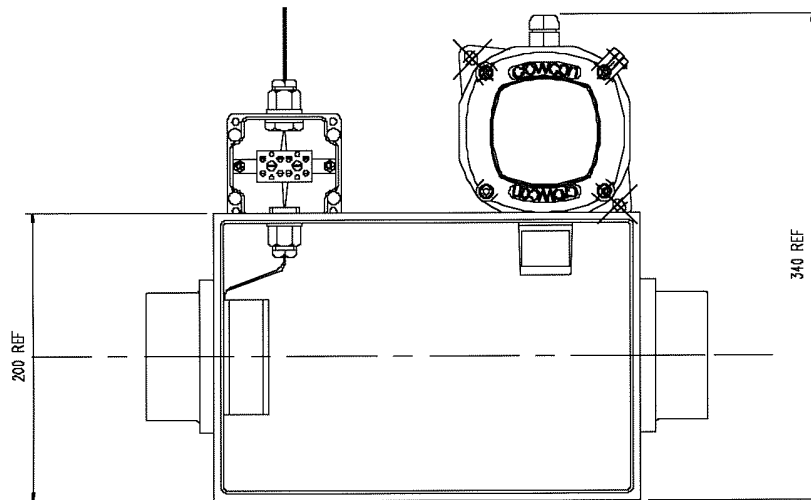
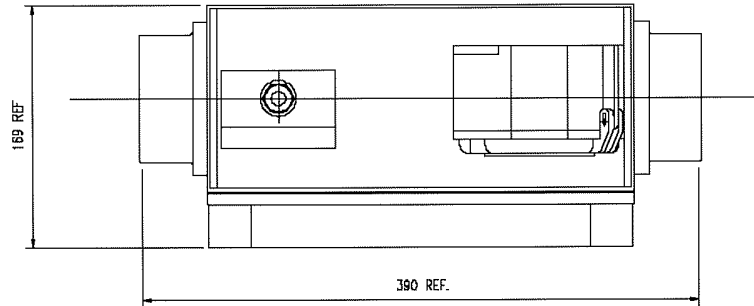


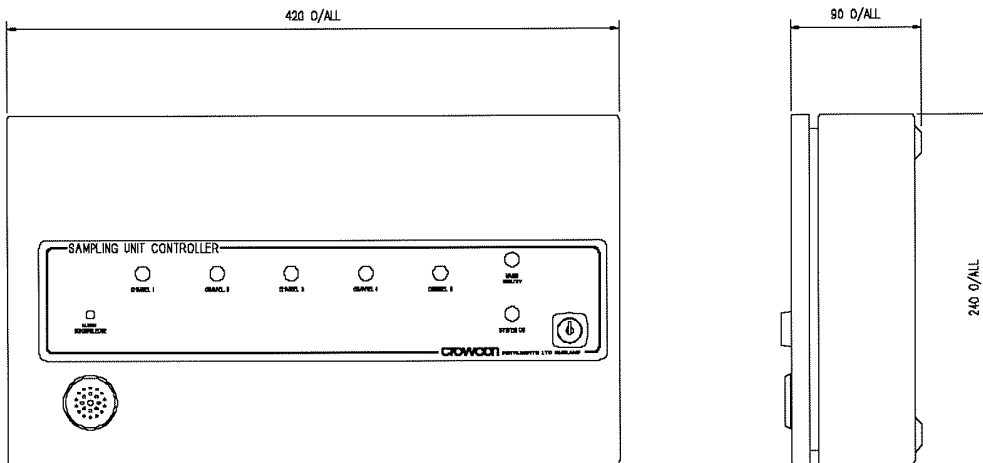
SUPPORT DATA SHEET

Environmental Sampling Unit 87ESU

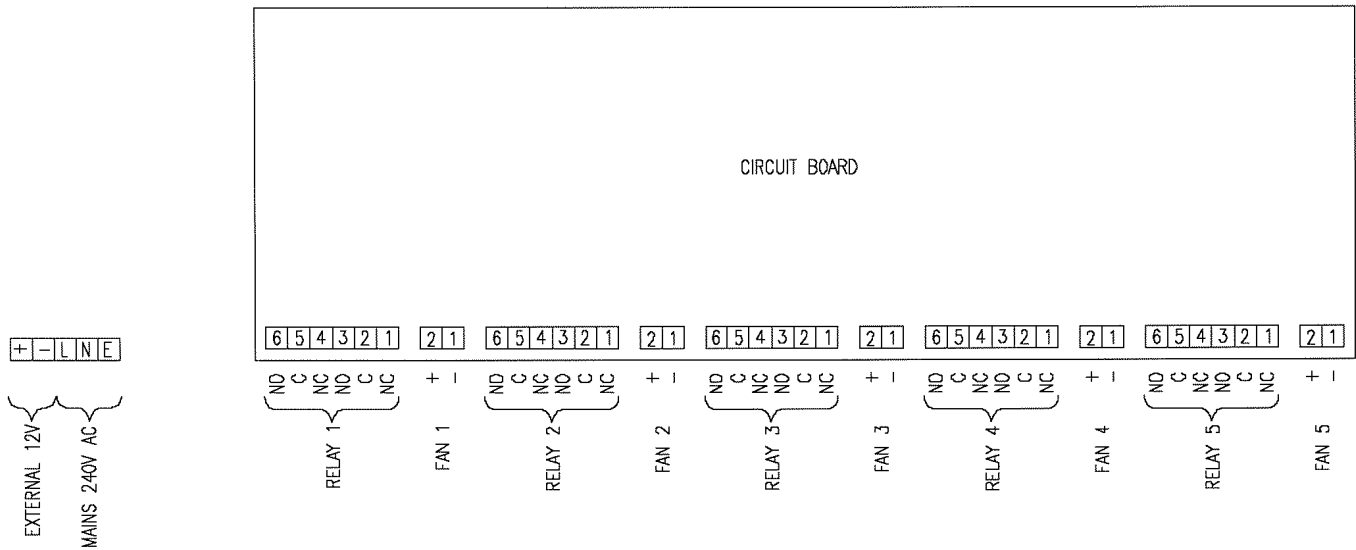
GENERAL ASSEMBLY



CONTROLLER GENERAL ASSEMBLY



CONTROLLER ELECTRICAL CONNECTIONS



TYPICAL SPECIFICATION

The system shall comprise a sampling chamber manufactured from ABS connected to one or two 2 inch diameter collection pipes of total maximum combined length of 12 metres. These pipes may have open ends or be drilled along their length and fitted with end caps. Fitted in the chamber shall be a fan to draw sample along the pipes to a Crowcon 4-20mA gas detector

also installed in the chamber. The gas detector junction box shall be mounted external to the chamber. For flammable gas applications an encapsulated (Ex m) fan shall be available.

As an option, the system shall be supplied with a controller capable of monitoring the operation of fans from up to five systems and initiating remote alarms in the event of fan failure.



Crowcon Detection Instruments Limited
 2 Blacklands Way, Abingdon Business Park,
 Abingdon, Oxfordshire, OX14 1DY
 Tel: 01235 553057 Fax: 01235 553062

Represented by: